



# 6006 VEHICULAR SWING GATE OPERATOR



Solar Powered Control Box

AC Powered Control Box

### Aesthetically pleasing original quiet design

- Mounts directly on gate and gate post - simplifying installation and eliminating the need for concrete pads
- Battery Backup provides uninterrupted operation if primary (AC) power is lost
- 115 VAC or 24 VDC Solar Powered Control Box options
- 2-Year Limited Warranty

• RESIDENTIAL • LIGHT COMMERCIAL •



#### Fully Enclosed

Screw drive protects screw threads



#### Easy Install

Rear bracket pivots allowing the unit to be removed easily



#### Keyed Release

For manual operation



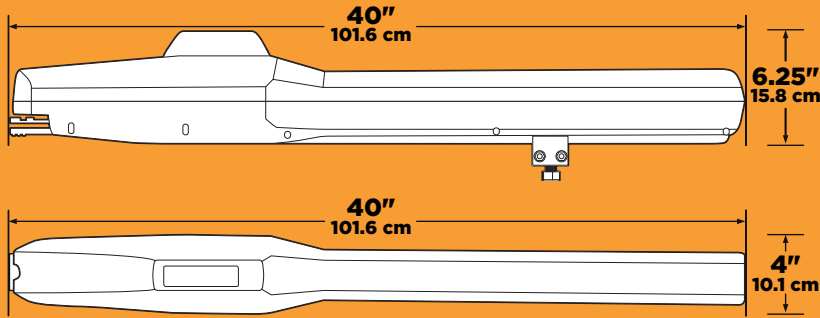
#### Reliability

In a compact and simple to install design

## ACCESS CONTROL SOLUTIONS



# 6006 VEHICULAR SWING GATE OPERATOR



### AC Standard Control Box

12.5" W x 16.5" H x 4.25" D  
(318mm W x 419mm H x 108mm D)

### AC Deluxe Control Box

14.5" W x 24" H x 4.25" D  
(368mm W x 610mm H x 108mm D)

### Solar Powered Control Box

13" W x 21" H x 8" D  
(330mm W x 533mm H x 203mm D)

6006	ACTUATOR	AC POWERED CONTROL BOX(S)	SOLAR POWERED CONTROL BOX
CLASS OF OPERATION	I, II	-	-
MAX WEIGHT AND GATE LENGTH*	600 lbs (272.1kg) / 18 ft (5.48m)	-	-
	800 lbs (362.8kg) / 16 ft (4.87m)	-	-
	1600 lbs (725.7kg) / 8 ft (2.43m)	-	-
MOTOR	Continuous Duty DC Motor	-	-
BATTERIES	-	Two (2) 3.5 Ah included	Two (2) 18 Ah or 35 Ah
SOLAR PANEL	-	N / A	10 Watt (18 Ah batteries) 20 Watt (35 Ah batteries)
INPUT POWER	24 VDC	115 VAC	24 VDC

\* Assumes gate to be in good condition and swinging in a level plane.

## TECHNICAL FEATURES

### MECHANICAL

- Primary Reduction: worm gear 1:27
- Speed: 90° in approximately 18-20 secs.
- Case: 3.5mm double painted aluminum
- Easily adjustable magnetic limits
- Left or right hand mounting
- Keyed Release provided
- Fail-Secure mechanical
- Control Box enclosure rated NEMA 4X
- Protection Class IP54

### ELECTRICAL

- Built-in Battery Charger
- Gate Overlap feature for dual gate operation
- Magnetic Lock Power Circuit (115 VAC Control Box only)
- Built-in Reset and Test Buttons
- Maximum Run Timer
- Built-in High Current Warning
- 0.0 A SBPD Circuit (Pat Pend) (Solar Control Box only)

### MISCELLANEOUS

Environmental: 32°F to 115°F (0°C to 46°C) \*

\* The temperature range shown is for optimal battery performance. While these systems will operate beyond these limits, exceeding the temperature range will reduce battery efficiency and may cause permanent battery damage.

Shipping Weights:

- Actuator: 20 lb (9.1 kg)
- Std Control Box: Approx 30 lb (13.6 kg)
- Deluxe Control Box: Approx 40 lb (18.14 kg)

Solar Control Box w/18 Ah Batteries:  
Approx 60 lb (27.22 kg)

Solar Control Box w/35 Ah batteries:  
Approx 90 lb (40.82 kg)

Solar Control Box (No Batteries):  
Approx 30 lb (13.6 kg)

Operator requires Type B1 or Type B2 entrapment protection devices with 10K resistive termination, otherwise the operator will not function.



Conforms To ANSI/CAN/UL 325:2017 Ed. 7  
Certified To CSA C22.2 #247

## DoorKing® Inc.

Access Control Solutions since 1948



120 S. Glasgow Avenue,  
Inglewood, California 90301 U.S.A.  
Tel: 310-645-0023 FAX: 310-641-1586  
www.doorking.com

© 2020 All Rights Reserved.  
Product specifications may  
change without notice. Rev. 4/20

### MEMBER:



### DISTRIBUTED BY:

